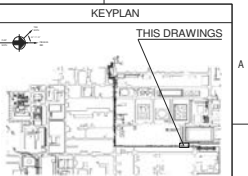


ASSEMBLY LIST FOR PAR-G04-207A WBS-G04 UNIT 11000

NO.	DESCRIPTION	QTY	AREA (M ²)	WEIGHT(Kg)	REMARKS
G04PR207A0FR101RP	WELDED FRAME	1	811.53	34284.33	
TOTAL			811.53	34284.33	

BOLT LIST FOR ASSEMBLY G04PR207A0FR101RP 1 PIECE

DIA	GRADE	TYPE	LENGTH	NOS.	MEMBER



NOTES

1. ALL DIMENSIONS ARE IN MILLIMETERS AND ALL ELEVATIONS AND CO-ORDINATES ARE IN METERS UNLESS NOTED OTHERWISE.

LEGENDS

[S.R.] 20 DIA ROD ABOVE T.O.S.
 PAR : PRE-ASSEMBLED RACK
 H200 : H200X200
 CT125 : CT125X125
 CT150 : CT150X150
 CT175 : CT175X175
 CT200 : CT200X200

READ THIS DRAWING IN CONJUNCTION WITH DRAWING NO. R118111-11000-CS-SDR-14435-1001 TO 1006

HOLD LIST

NO.	DESCRIPTION	DATE	BY	CHKD	APPROV

REVISIONS

NO.	DESCRIPTION	DATE	BY	CHKD	APPROV

REFERENCE DRAWINGS

NO.	DESCRIPTION	DATE	BY	CHKD	APPROV

Thai Oil Public Company Limited

SPPHRAVU THAILAND

Petrofac

Joint Venture of Petrofac South East Asia Pte. Ltd., Saigon Structure Pte. Ltd. and Siamkong Engineering (Thailand) Co., Ltd.

PAR-G04-207A WBS-G04 UNIT 11000

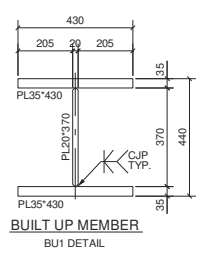
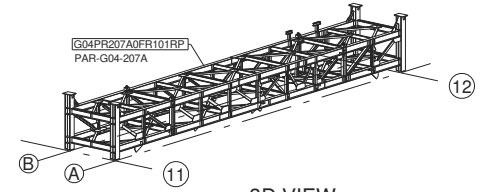
ERECTOR DRAWING

PLAN AT EL.+125.530 T.O.S.

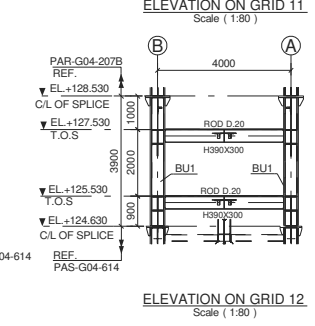
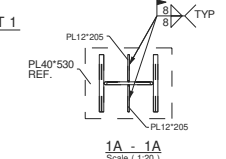
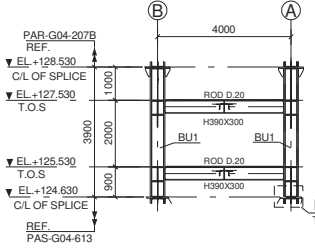
CLEAN FUEL PROJECT, SPPHRAVU, THAILAND

SCALE: AS SHOWN PROJECT NO. R118111-11000-CS-SDR-14435 DRAWING NO. 001

RECEIVED
 20 JAN 2021
 Sarcon (TH) Co.,Ltd.



ORIGINAL
 QUALITY DEPT.
 CONTROLLED
 FOR CONSTRUCTION



SIZE: A1 841x594

NO.	DATE	BY	CHKD	APPROV

PROJECT NO. R118111-11000-CS-S20098

SCALE: AS SHOWN

PROJECT NO. R118111-11000-CS-SDR-14435

DRAWING NO. 001

REV. NO. G04

REV. Z